
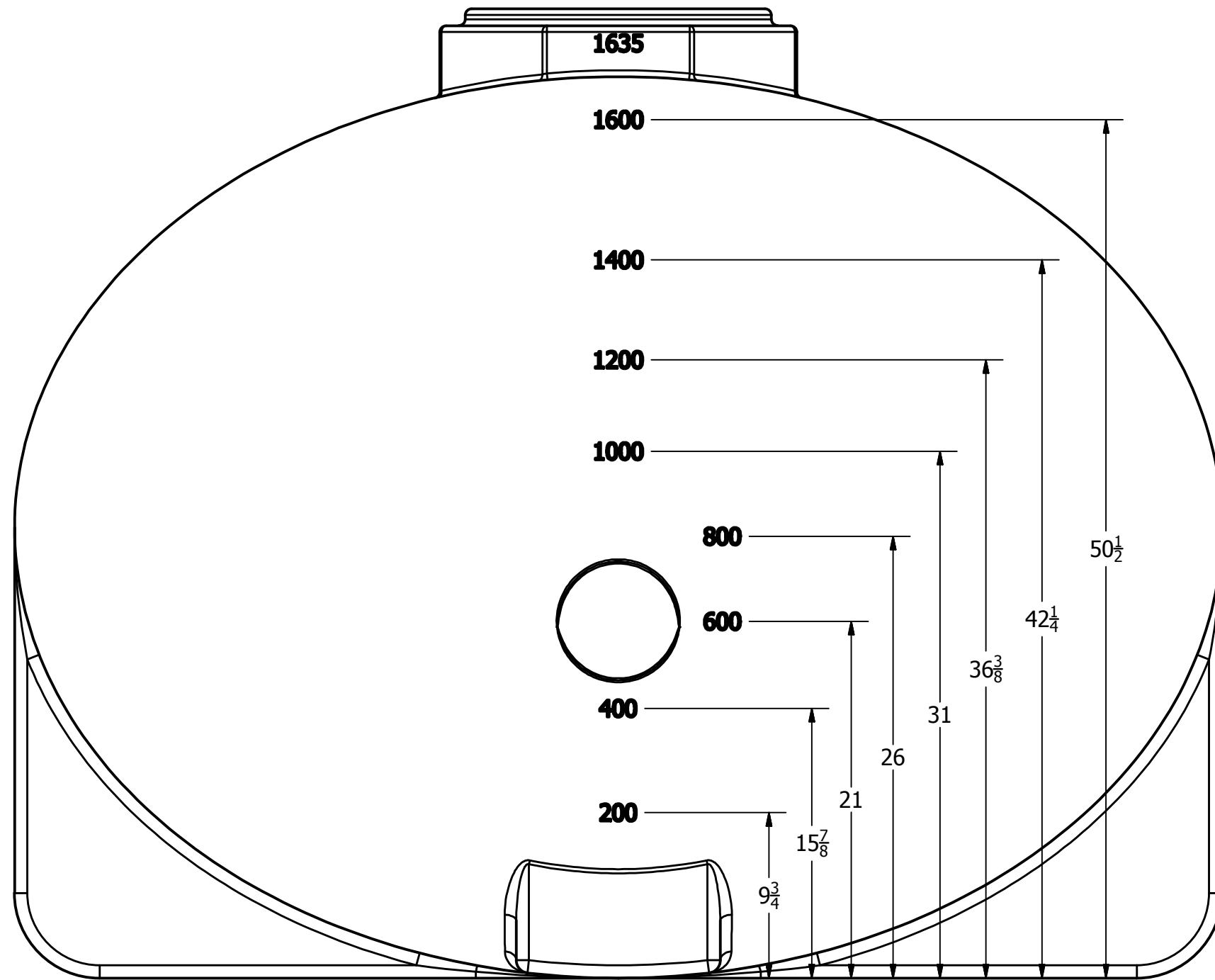



REVISION HISTORY			
REV	DESCRIPTION	DATE	AUTHOR
A	REDRAWN	8/22/1997	
B	REDRAWN	8/2/2013	Michael Holden
DRAWN Jerry Paulson		8/22/1997	 NORWESCO, INC. SAINT BONIFACIUS, MN TITLE 1635 GALLON ELLIPTICAL LEG TANK
CHECKED			
QA			
MFG			
APPROVED			
SIZE B		DWG NO	REV B
SCALE: 1/16		SHEET 1 OF 2	



DRAWN Jerry Paulson	8/22/1997	 NORWESCO, INC. SAINT BONIFACIUS, MN		
CHECKED		TITLE		
QA		1635 GALLON ELLIPTICAL LEG TANK		
MFG				
APPROVED				
		SIZE B	DWG NO	REV B
		SCALE: 1/16	SHEET 2 OF 2	